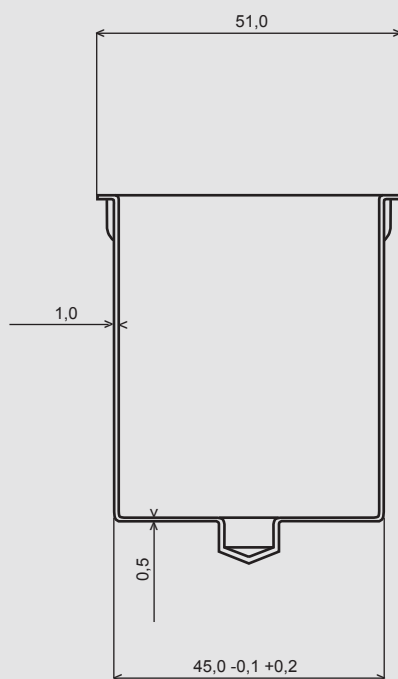


TP 02



SPECIFICATIONS:

Article Code : Catalyzer

Reference : 342.000

Material : PP

Volume : -

Weight : 7,7 g

Packaging Qty : 450 pcs.

All dimensions and tolerances are subject to technical changes.
For dimensions which do not have tolerances, DIN 16742 standard can be used as a reference.
Our product recommendations are based on our own knowledge and experiences and can not replace the customer's own tests and confirmations.

