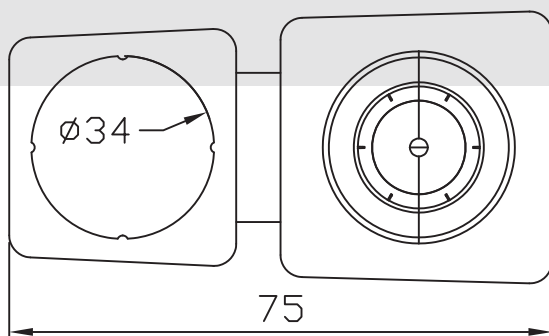
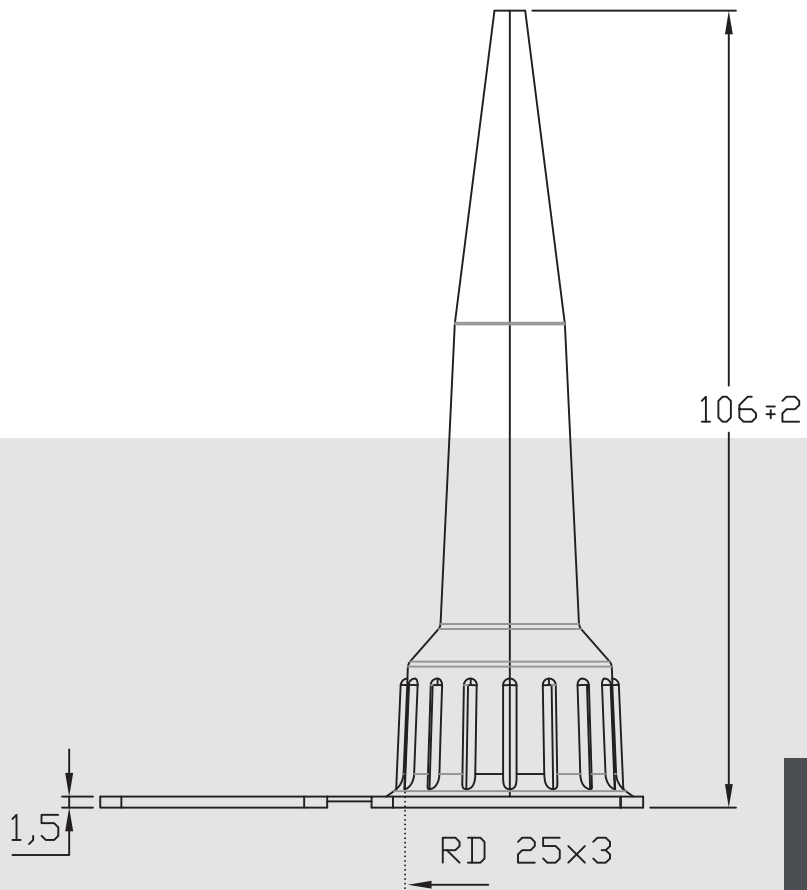


# CU 40



## SPECIFICATIONS:

Article Code : CU 40

Reference : 470.000

Material : HDPE

Volume : -

Weight : 9 gr

Packaging Qty : 840 Pcs

All dimensions and tolerances are subject to technical changes.  
For dimensions which do not have tolerances, DIN 16742 standard can be used as a reference. Our product recommendations are based on our own knowledge and experiences and can not replace the customer's own tests and confirmations.