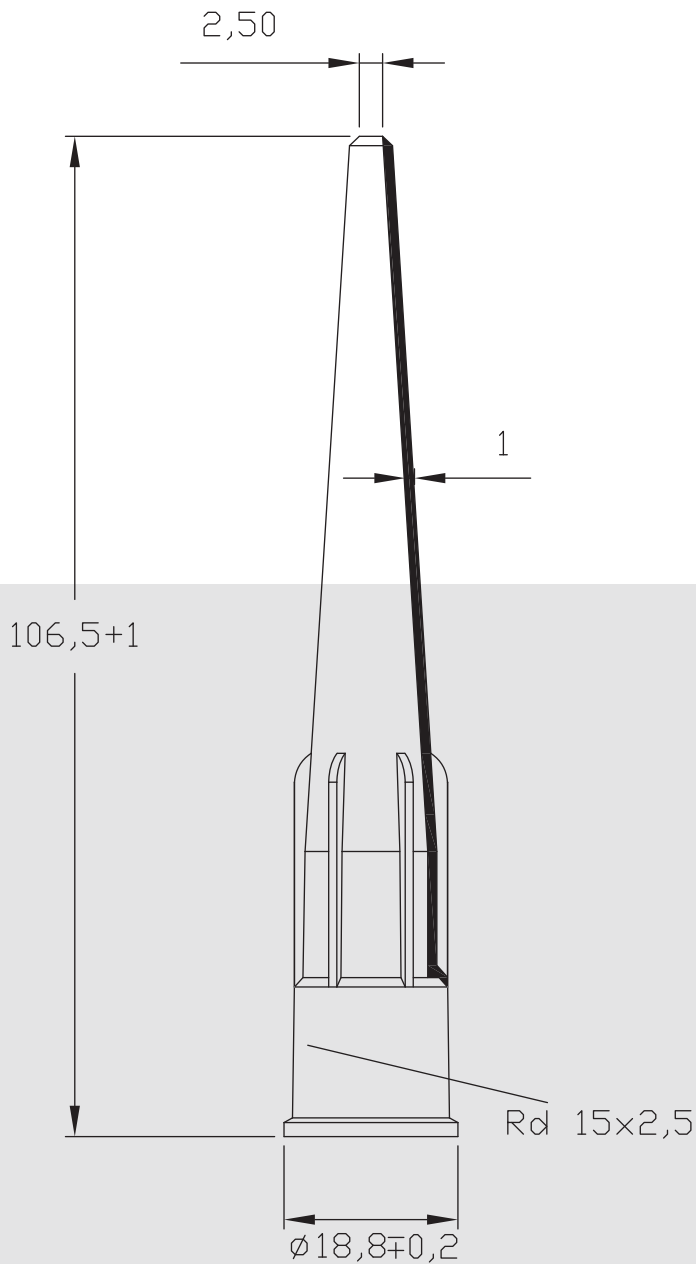


SU 01 0



SPECIFICATIONS:

Article Code : SU 01 0

Reference : 405.000

Material : HDPE

Volume : -

Weight : 3,2 gr

Packaging Qty : 2500 pcs

Features : Suitable for automatic nozzle machines

All dimensions and tolerances are subject to technical changes.
For dimensions which do not have tolerances, DIN 16742 standard can be used as a reference.
Our product recommendations are based on our own knowledge and experiences and can not replace the customer's own tests and confirmations.

