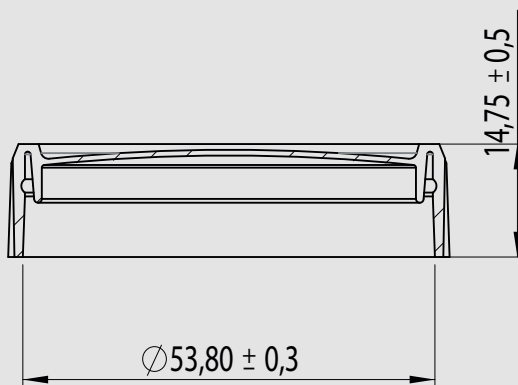


GL 01



SPECIFICATIONS:

Article Code : GL 01

Reference : 700.350

Material : PP

Volume : -

Weight : 4,8 gr

Packaging Qty : 1.188 pcs

All dimensions and tolerances are subject to technical changes.
For dimensions which do not have tolerances, DIN 16742 standard can be used as a reference.
Our product recommendations are based on our own knowledge and experiences and can not replace the customer's own tests and confirmations.

