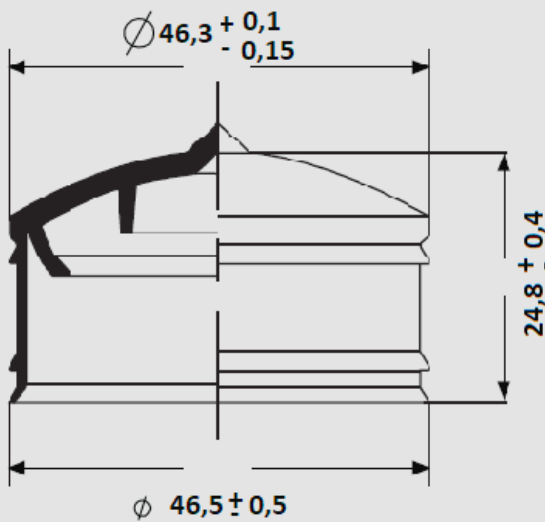


SP 11 AY



SPECIFICATIONS:

Article Code : SP 11 AY

Reference : 340.000

Material : LDPE / HDPE

Volume : -

Weight : 6,5 g

Packaging Qty : 1,300 pcs

All dimensions and tolerances are subject to technical changes.
For dimensions which do not have tolerances, DIN 16742 standard can be used as a reference.
Our product recommendations are based on our own knowledge and experiences and can not replace the customer's own tests and confirmations.

