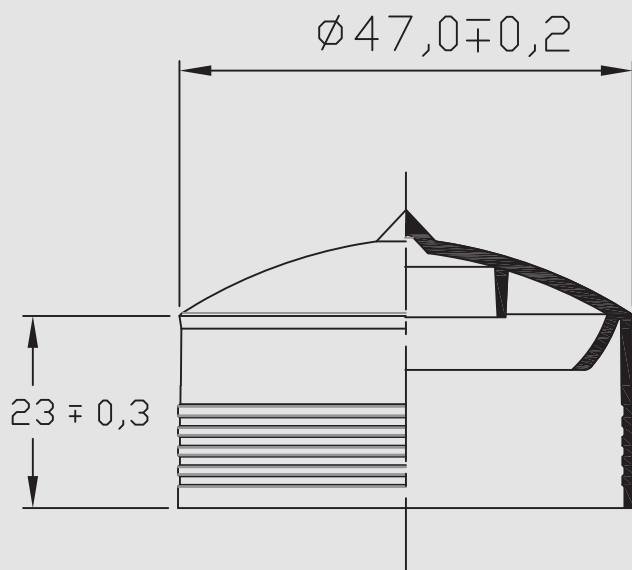


# SP 40



## SPECIFICATIONS:

*Article Code* : SP 40

*Reference* : 370.000

*Material* : HDPE

*Volume* :-

*Weight* : 7 gr

*Packaging Qty* : 1.250 pcs

All dimensions and tolerances are subject to technical changes.  
For dimensions which do not have tolerances, DIN 16742 standard can be used as a reference. Our product recommendations are based on our own knowledge and experiences and can not replace the customer's own tests and confirmations.

