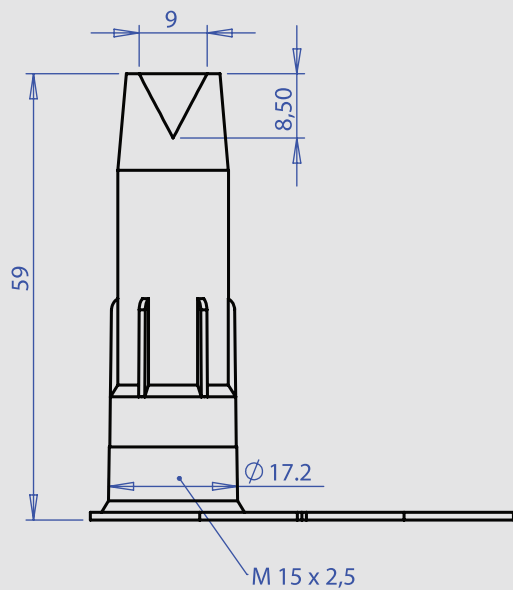


CU 01 V



SPECIFICATIONS:

Article Code : CU 01 V

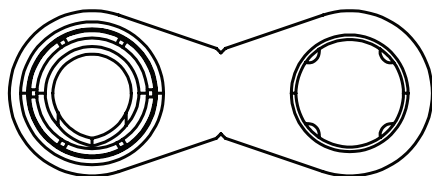
Reference : 410.014

Material : HDPE

Volume : -

Weight : 3,2 gr

Packaging Qty : 2500 pcs



All dimensions and tolerances are subject to technical changes.
For dimensions which do not have tolerances, DIN 16742 standard can be used as a reference.
Our product recommendations are based on our own knowledge and experiences and can not replace the customer's own tests and confirmations.

